

**REPAIR PARTS MANUAL**  
**MODEL NO. MJ20B107H (96011014000)**  
**Lawn Tractor**



**Mr. JARDINAGE**

# HOW TO USE THIS MANUAL

This manual is designed to provide the customer with a means to identify the parts on his/her tractor when ordering repair parts. The illustrations may or may not represent the actual assemblies; therefore, it is not recommended to use this manual as a guide to assemble or disassemble the tractor. Some hardware and parts are drawn larger in order to more readily identify them.

Each tractor has its own model number.

The model number for your tractor can be found on the fender under the seat.

When ordering parts, always give the following information:

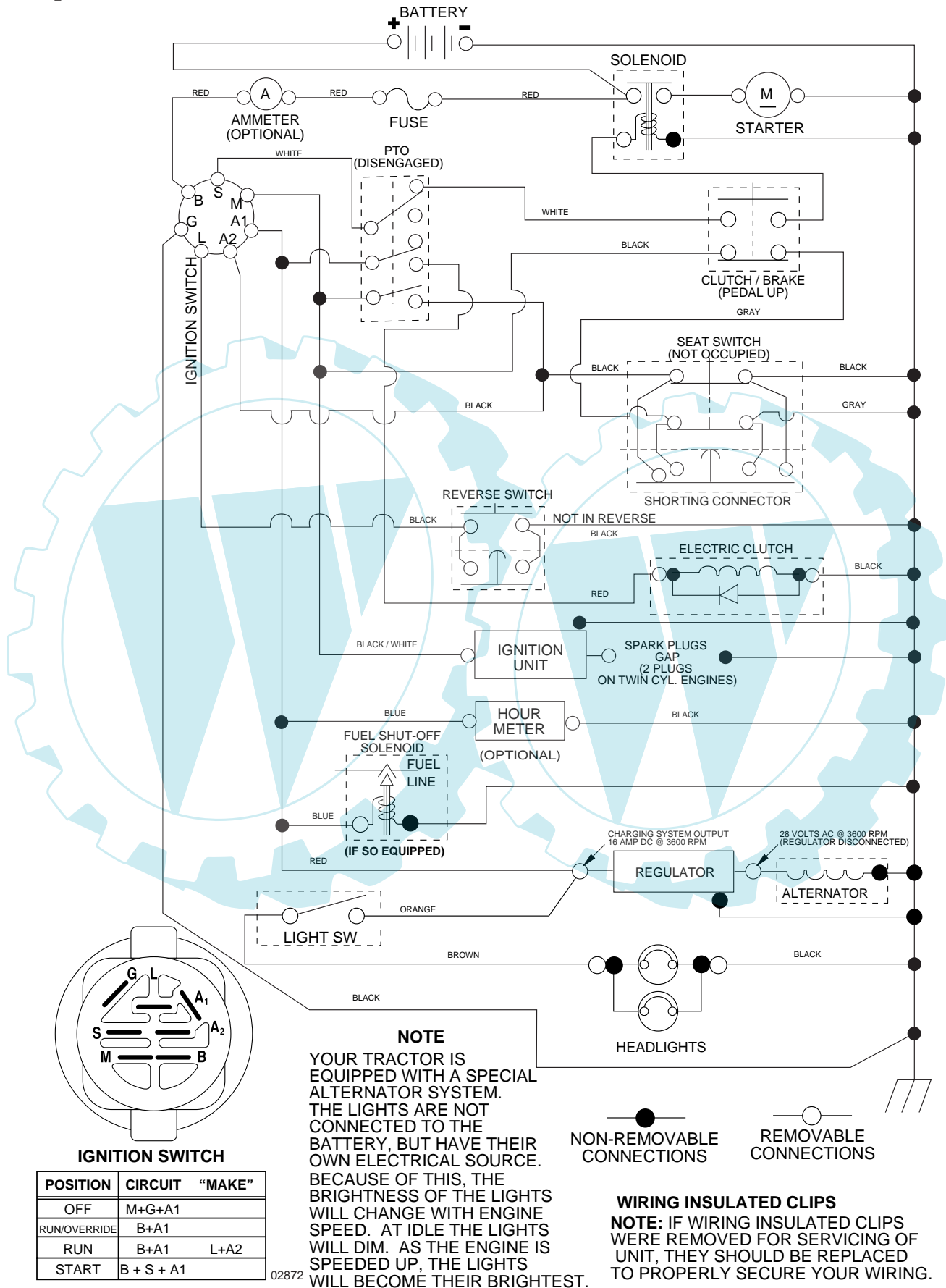
- Product - "Lawn Tractor"
- Model Number - "MJ20B107H" (96011014000)
- Part Number
- Part Description

## TABLE OF CONTENTS

<b>SCHEMATIC</b> .....	<b>3</b>
<b>ELECTRICAL</b> .....	<b>4-5</b>
<b>CHASSIS AND ENCLOSURES</b> .....	<b>6-7</b>
<b>DRIVE</b> .....	<b>8-9</b>
<b>STEERING ASSEMBLY</b> .....	<b>10-11</b>
<b>SEAT ASSEMBLY</b> .....	<b>12</b>
<b>DECALS</b> .....	<b>13</b>
<b>ENGINE</b> .....	<b>14-15</b>
<b>MOWER DECK</b> .....	<b>16-17</b>
<b>LIFT</b> .....	<b>18-19</b>

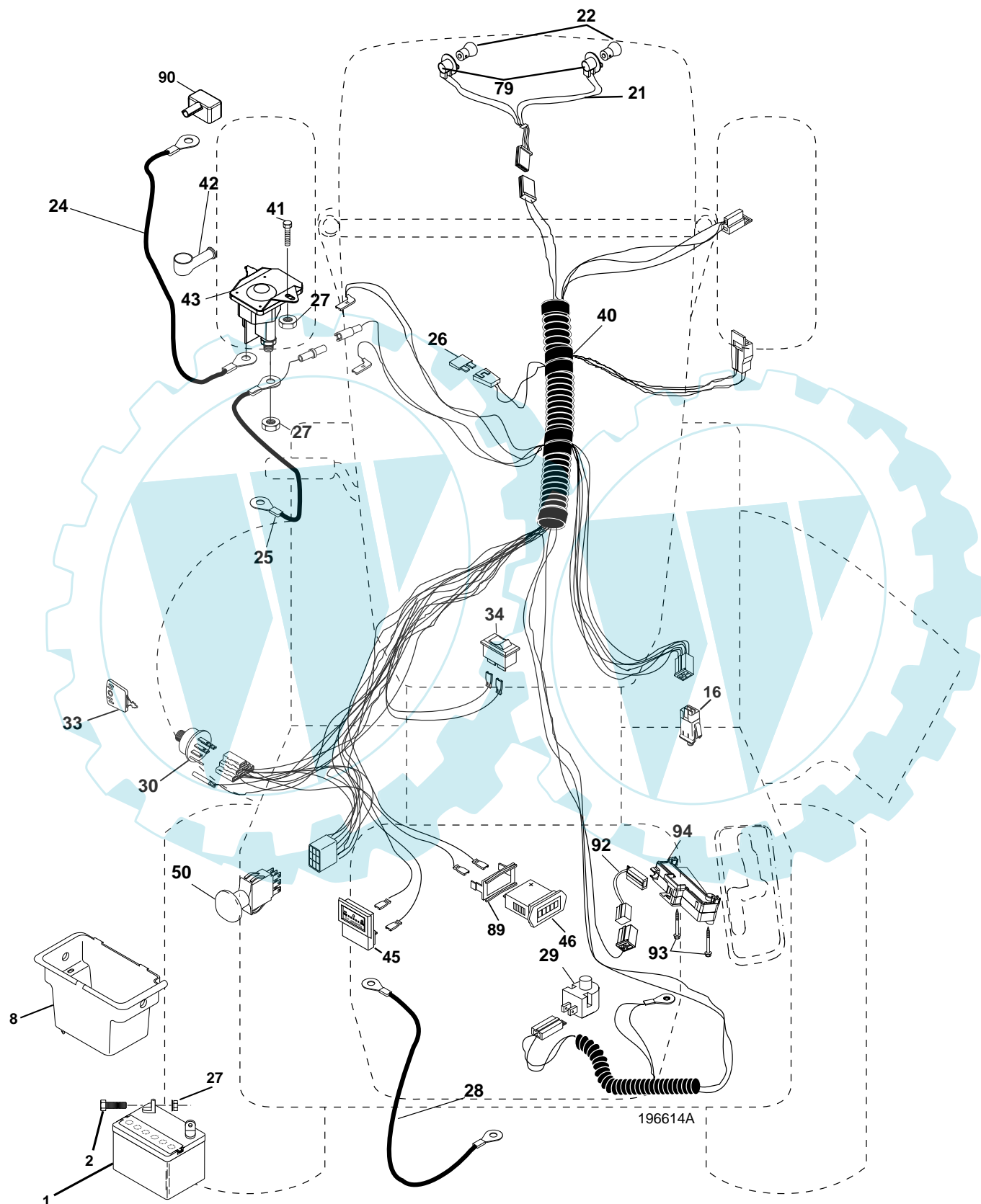
**TRACTOR-MODEL NO. MJ20B107H (96011014000), PRODUCT NO. 960 11 01-40  
SCHEMATIC**

3082\_197429-196614



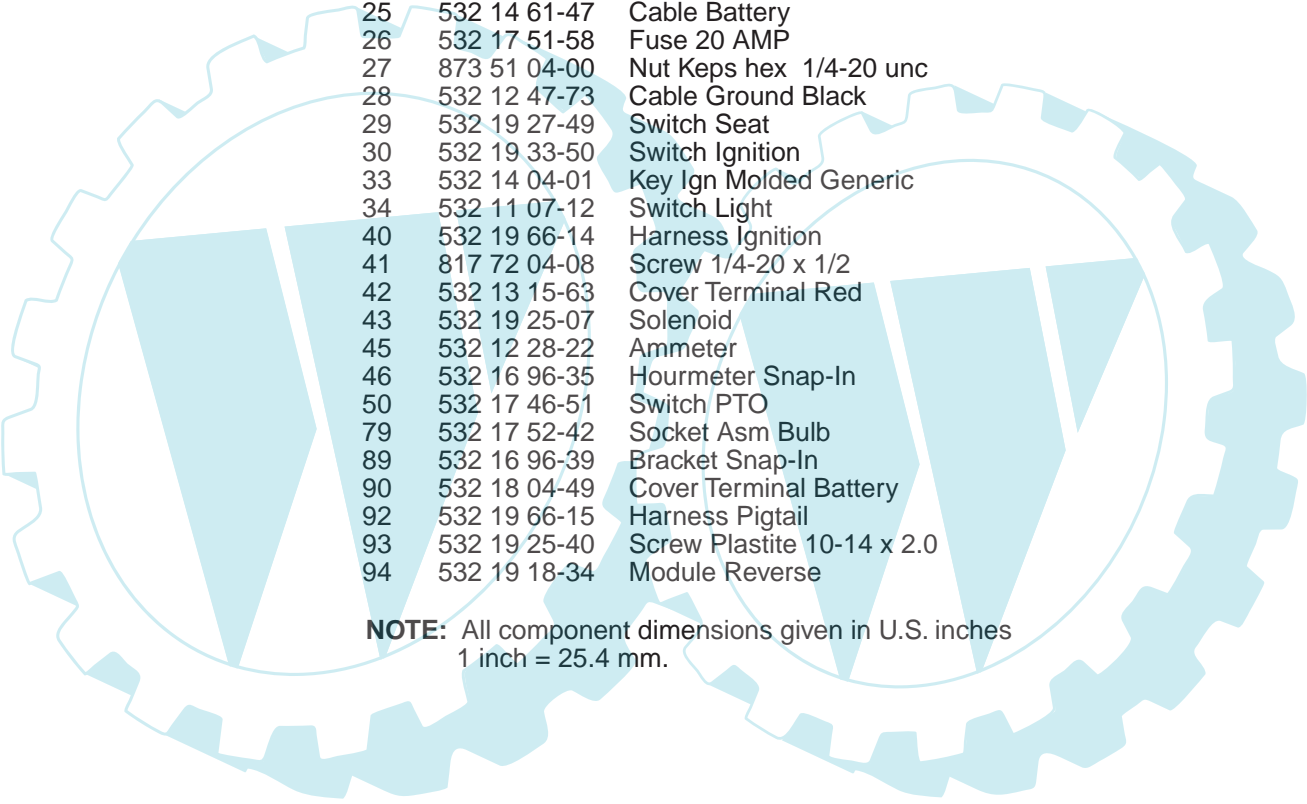
# REPAIR PARTS

TRACTOR-MODEL NO. MJ20B107H (96011014000), PRODUCT NO. 960 11 01-40  
ELECTRICAL



## REPAIR PARTS

TRACTOR-MODEL NO. MJ20B107H (96011014000), PRODUCT NO. 960 11 01-40  
ELECTRICAL

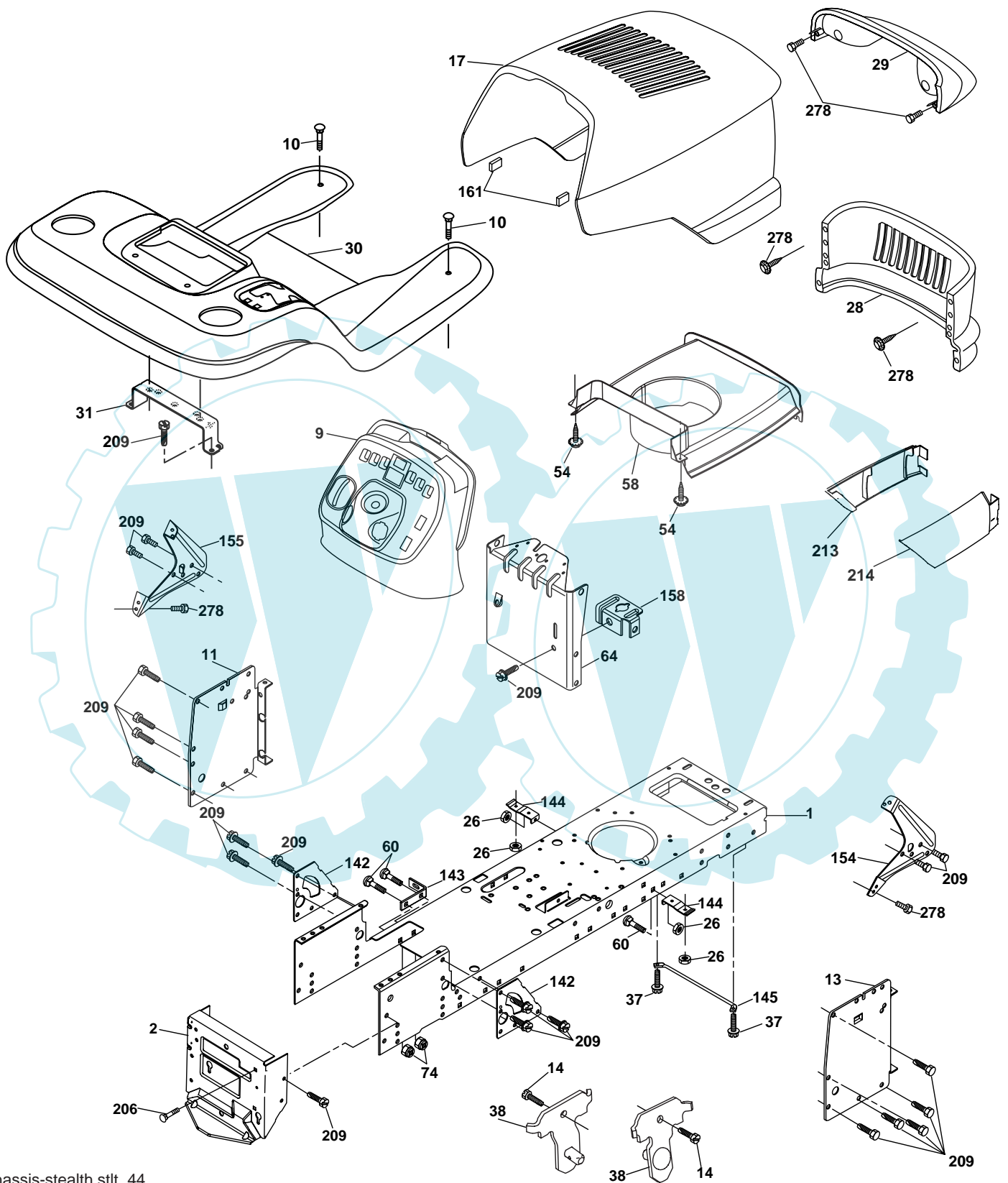


KEY NO.	PART NO.	DESCRIPTION
1	532 14 49-27	Battery
2	874 76 04-12	Bolt Hex Hd 1/4-20 unc x 3/4
8	532 17 66-89	Box Battery
16	532 17 61-38	Switch Interlock Push-In
21	532 17 56-88	Harness Asm Light W/4152J
22	532 00 41-52	Bulb Light #1156
24	532 12 47-80	Cable Battery Starter
25	532 14 61-47	Cable Battery
26	532 17 51-58	Fuse 20 AMP
27	873 51 04-00	Nut Keps hex 1/4-20 unc
28	532 12 47-73	Cable Ground Black
29	532 19 27-49	Switch Seat
30	532 19 33-50	Switch Ignition
33	532 14 04-01	Key Ign Molded Generic
34	532 11 07-12	Switch Light
40	532 19 66-14	Harness Ignition
41	817 72 04-08	Screw 1/4-20 x 1/2
42	532 13 15-63	Cover Terminal Red
43	532 19 25-07	Solenoid
45	532 12 28-22	Ammeter
46	532 16 96-35	Hourmeter Snap-In
50	532 17 46-51	Switch PTO
79	532 17 52-42	Socket Asm Bulb
89	532 16 96-39	Bracket Snap-In
90	532 18 04-49	Cover Terminal Battery
92	532 19 66-15	Harness Pigtail
93	532 19 25-40	Screw Plastite 10-14 x 2.0
94	532 19 18-34	Module Reverse

**NOTE:** All component dimensions given in U.S. inches  
1 inch = 25.4 mm.

# REPAIR PARTS

TRACTOR-MODEL NO. MJ20B107H (96011014000), PRODUCT NO. 960 11 01-40  
CHASSIS



chassis-stealth.stlt\_44

## REPAIR PARTS

TRACTOR-MODEL NO. MJ20B107H (96011014000), PRODUCT NO. 960 11 01-40  
CHASSIS

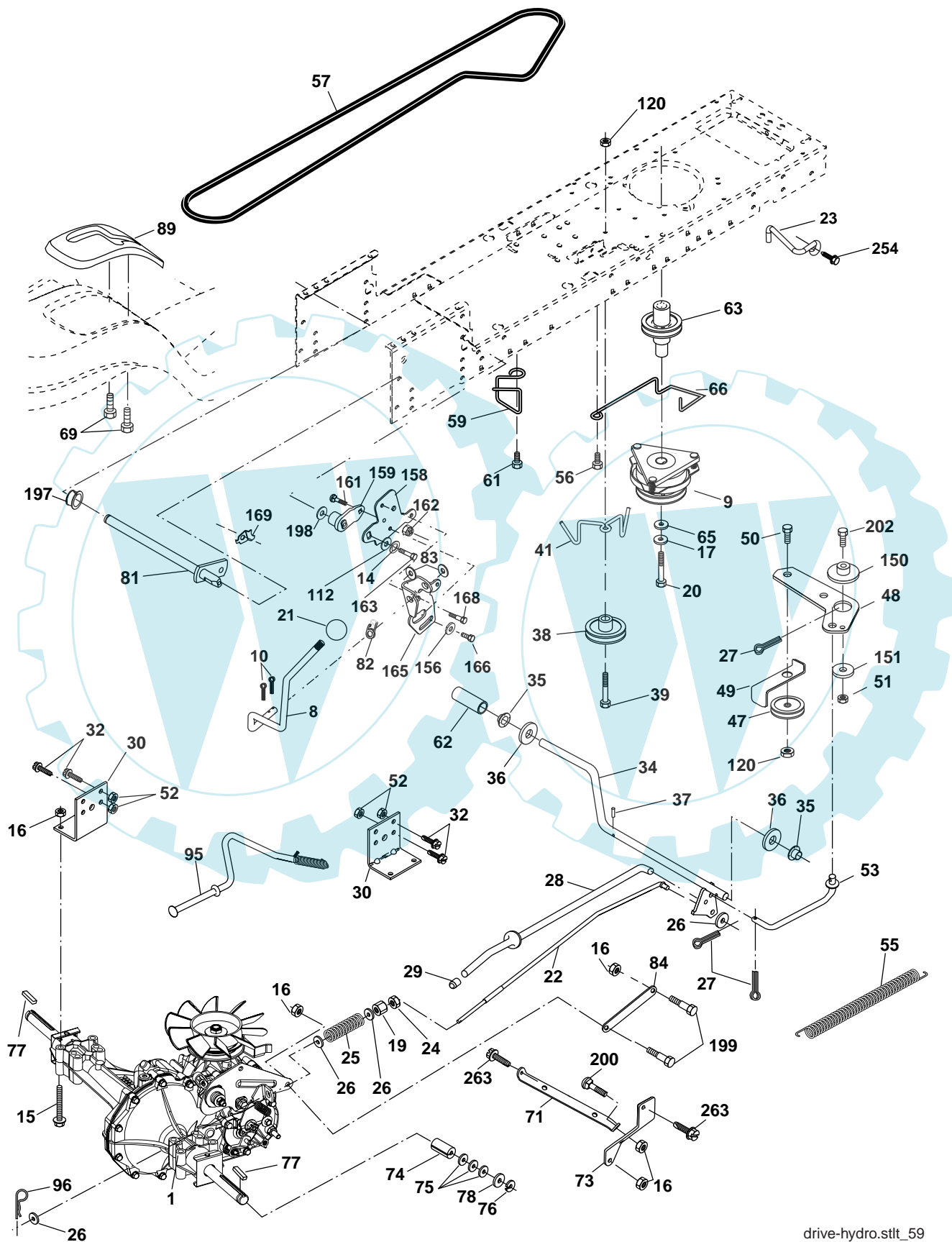
KEY NO.	PART NO.	DESCRIPTION
1	532 17 46-19	Chassis Stl Stamping
2	532 17 65-54	Drawbar
9	532 19 49-75	Dash P/L
10	872 14 06-08	Bolt Carriage 3/8-16 x 1
11	532 16 72-03	Panel Dash Lh
14	817 49 06-08	Screw Thdrol 3/8-16 x 1/2
13	532 17 82-98	Panel Dash Rh
17	532 40 39-98	Hood
26	873 80 06-00	Nut Lock Hex W/Ins 3/8-16 unc
28	532 18 28-73	Grille
29	532 17 97-61	Lens Asm.
30	532 40 38-32	Fender Footrest
31	532 13 99-76	Bracket Support Fender
37	817 49 05-08	Screw Thdrol 6/16-18 x 1/2 TYT
38	532 17 57-10	Bracket Asm. Pivot Mower Rear
54	532 19 25-12	Screw Wshd Hex 10-32 x 5/8
58	532 17 53-51	Duct Intake Air
60	872 14 06-06	Bolt Rdhd Sqnk 3/8-16 unc x 3/4
64	532 17 49-97	Dash Lower STLT
74	873 68 06-00	Nut Crownlock 3/8-16 unc
142	532 17 57-02	Plate Reinforcement STLT
143	532 18 66-89	Bracket Swaybar Chassis
144	532 17 55-82	Bracket Pnt Footrest STLT
145	532 15 65-24	Rod Pivot Chassis/Hood
154	532 18 39-25	Bracket Dash RH
155	532 18 39-26	Bracket Dash LH
158	532 16 20-37	Bracket Parking Brake
161	532 16 46-55	Bumper Hood
206	532 17 01-65	Bolt Shoulder 5/16-18 TT
209	817 00 06-12	Screw 3/8-16 x 3/4
213	532 17 75-87	Skirt Grille LH
214	532 17 75-86	Skirt Grille RH
278	532 19 16-11	Screw 10 x 3/4 Single Lead Hex

**NOTE:** All component dimensions given in U. S. inches  
1 inch = 25.4 mm



# REPAIR PARTS

TRACTOR-MODEL NO. MJ20B107H (96011014000), PRODUCT NO. 960 11 01-40  
DRIVE



drive-hydro.stlt\_59



# REPAIR PARTS

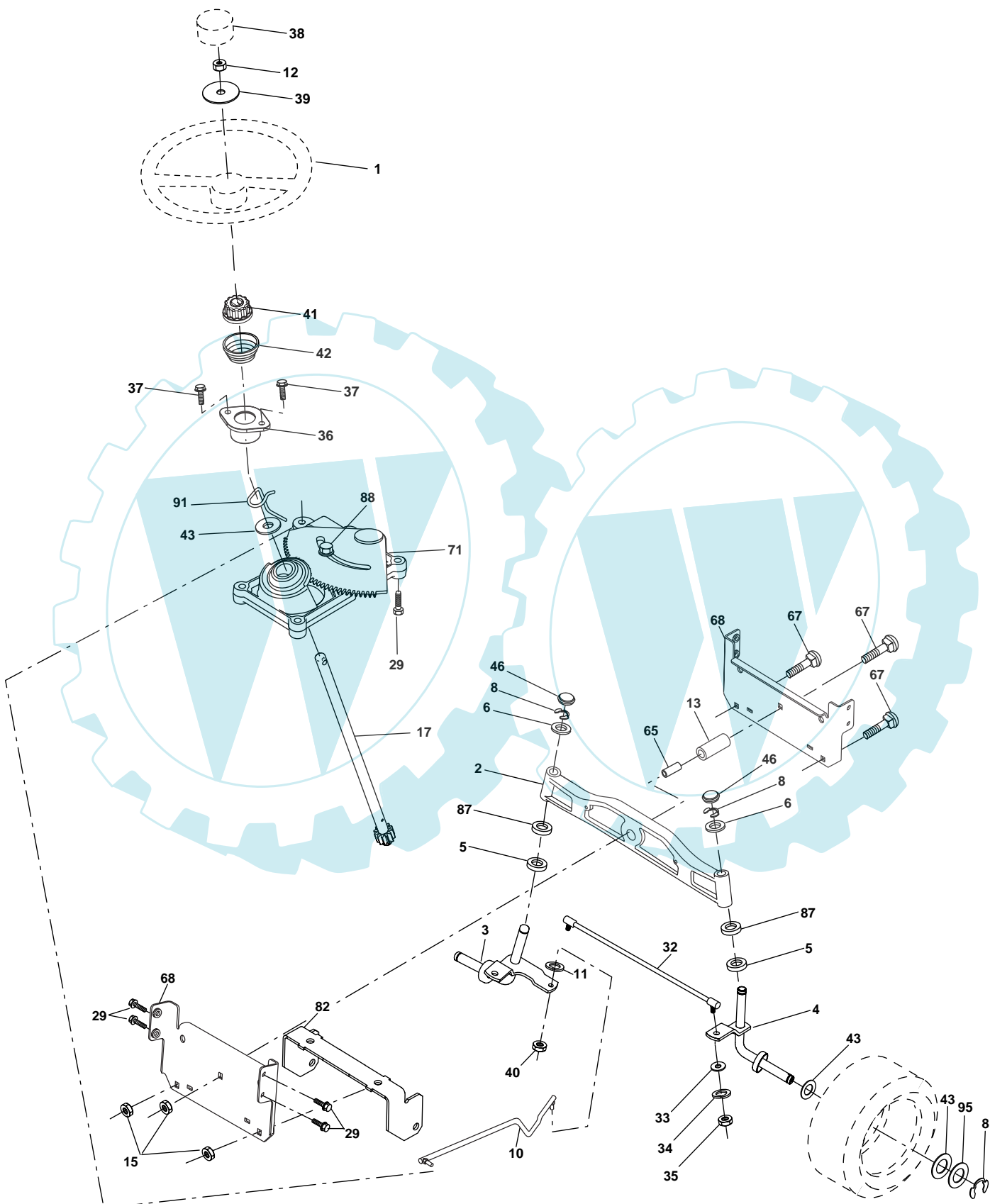
TRACTOR-MODEL NO. MJ20B107H (96011014000), PRODUCT NO. 960 11 01-40  
DRIVE

KEY NO.	PART NO.	DESCRIPTION	KEY NO.	PART NO.	DESCRIPTION
1	-----	Transaxle, Hydro Gear 314-0510 (Order Parts From Transaxle Manufacturer)	63	532 17 46-07	Pulley, Engine
8	532 19 25-02	Rod Shift Fender	65	810 04 07-00	Washer
9	532 18 02-20	Clutch Electric OGURA	66	532 15 47-78	Keeper Belt Engine Hydro
10	876 02 04-16	Pin Cotter 1/8 x 1 CAD	69	532 14 24-32	Screw Hex Wsh Hi-Lo 1/4 x 1/2 unc
14	810 04 04-00	Washer Lock Hvy Helical	71	532 16 91-83	Strap Torque Lh Hydro
15	874 49 05-44	Bolt Hex Flghd 5/16-18 Gr. 5	73	532 16 91-82	Strap Torque Rh Hydro
16	873 80 05-00	Nut Lock Hex W/Ins. 5/16-18 unc	74	532 13 70-57	Spacer, Axle
17	532 12 61-97	Washer 1-1/2 OD x 15/32 ID x .250	75	532 12 17-49	Washer 25/32 x 1-1/4 x 16 Ga.
19	873 80 06-00	Nut Lock Hex W/Wsh 3/8-16 unc	76	812 00 00-01	E-Ring
20	532 17 39-37	Bolt, Hex 7/16-20 x Gr. 5-1.5	77	532 12 35-83	Key, Square
21	532 14 08-45	Knob	78	532 12 17-48	Washer 25/32 x 1-5/8 x 16 Ga.
22	532 16 94-98	Rod, Brake Hydro	81	532 16 55-96	Shaft Asm. Cross Hydro
23	532 19 07-36	Bracket Asm. Anti-Rot	82	532 16 57-11	Spring Torsion T/A
24	873 35 06-00	Locknut	83	819 17 12-16	Washer 17/32 x 3/4 x 16 Ga.
25	532 10 68-88	Spring, Brake Rod	84	532 16 95-94	Link Transaxle
26	819 13 13-16	Washer	89	532 19 57-46	Console, Shift
27	876 02 04-12	Pin Cotter 1/8 x 3/4 CAD.	95	532 17 02-01	Control Asm. Bypass Hydro
28	532 17 57-65	Rod, Parking Brake	96	532 12 47-88	Retainer Spring 1" Zinc/Cad
29	532 07 16-73	Cap, Parking Brake	112	819 09 12-10	Washer 9/32 x 3/4 x 10 Ga.
30	532 16 95-92	Bracket, Transaxle	120	873 90 06-00	Nut Lock 3/8-16
32	874 76 05-12	Bolt Hex Hd 5/16-18 unc x 3/4	150	532 17 54-56	Spacer Retainer
34	532 17 55-78	Shaft, Foot Pedal Nibbed	151	819 13 32-10	Washer 13/32 x 2 x 10 Ga.
35	532 12 01-83	Bearing, Nylon	156	532 16 60-02	Washer Srrted 5/16 ID x 1.125
36	819 21 16-16	Washer	158	532 16 55-89	Bracket Shift Mount
37	532 12 49-63	Pin, Roll	159	532 18 39-00	Hub Shift
38	532 17 91-14	Pulley, Idler, Flat Composite	161	872 14 04-06	Bolt Rdhd Sqnk 1/4-20 x 3/4 Gr. 5
39	872 11 06-22	Bolt 3/8-16 x 2-3/4 Gr. 5	162	873 68 04-00	Nut Crownlock 1/4-20 unc
41	532 17 55-56	Keeper, Belt Idler Fool-Proof	163	874 78 04-16	Bolt Hex Fin 1/4-20 unc x 1 Gr. 5
47	532 12 77-83	Pulley, Idler, V-Groove	165	532 16 56-23	Bracket Pivot Lever
48	532 15 44-07	Bellcrank Clutch Grnd Drv Stl	166	817 49 05-10	Screw 5/16-18 x 5/8
49	532 12 32-05	Retainer, Belt	168	532 16 54-92	Bolt Shoulder 5/16-18 x .561
50	872 11 06-12	Bolt Carr. SH 3/8-16 x 1-1/2 Gr. 5	169	532 16 55-80	Plate Fastening Lt\
51	873 68 06-00	Nut	197	532 16 96-13	Nyliner Snap-In 5/8" ID
52	873 68 05-00	Nut Crown Lock 5/16-18	198	532 16 95-93	Washer Nyliner 7/8 ID x .105
53	532 19 96-52	Link, Clutch	199	532 16 96-12	Bolt Shoulder 5/16-18 unc
55	532 10 57-09	Spring, Return, Clutch	200	872 14 05-08	Bolt Rdhd Sq Neck 5/16-18 unc x 1
56	817 06 06-20	Screw 3/8-16 x 1-1/4	202	872 11 06-14	Bolt 3/8-16 x 1-3/4 Gr. 5
57	532 14 02-94	V-Belt, Ground Drive	254	817 00 06-16	Screw 3/8-16 x 1
59	532 16 96-91	Keeper, Center Span	263	817 00 06-12	Screw Hexwsh Thdr 3/8-16 x 3/4
61	817 12 06-14	Screw 3/8-16 x .875			
62	532 12 35-33	Cover, Pedal			

**NOTE:**All component dimensions give in U.S. inches.  
1 inch = 25.4 mm.

# REPAIR PARTS

TRACTOR-MODEL NO. MJ20B107H (96011014000), PRODUCT NO. 960 11 01-40  
STEERING ASSEMBLY



steering\_stealth\_prem\_17

## REPAIR PARTS

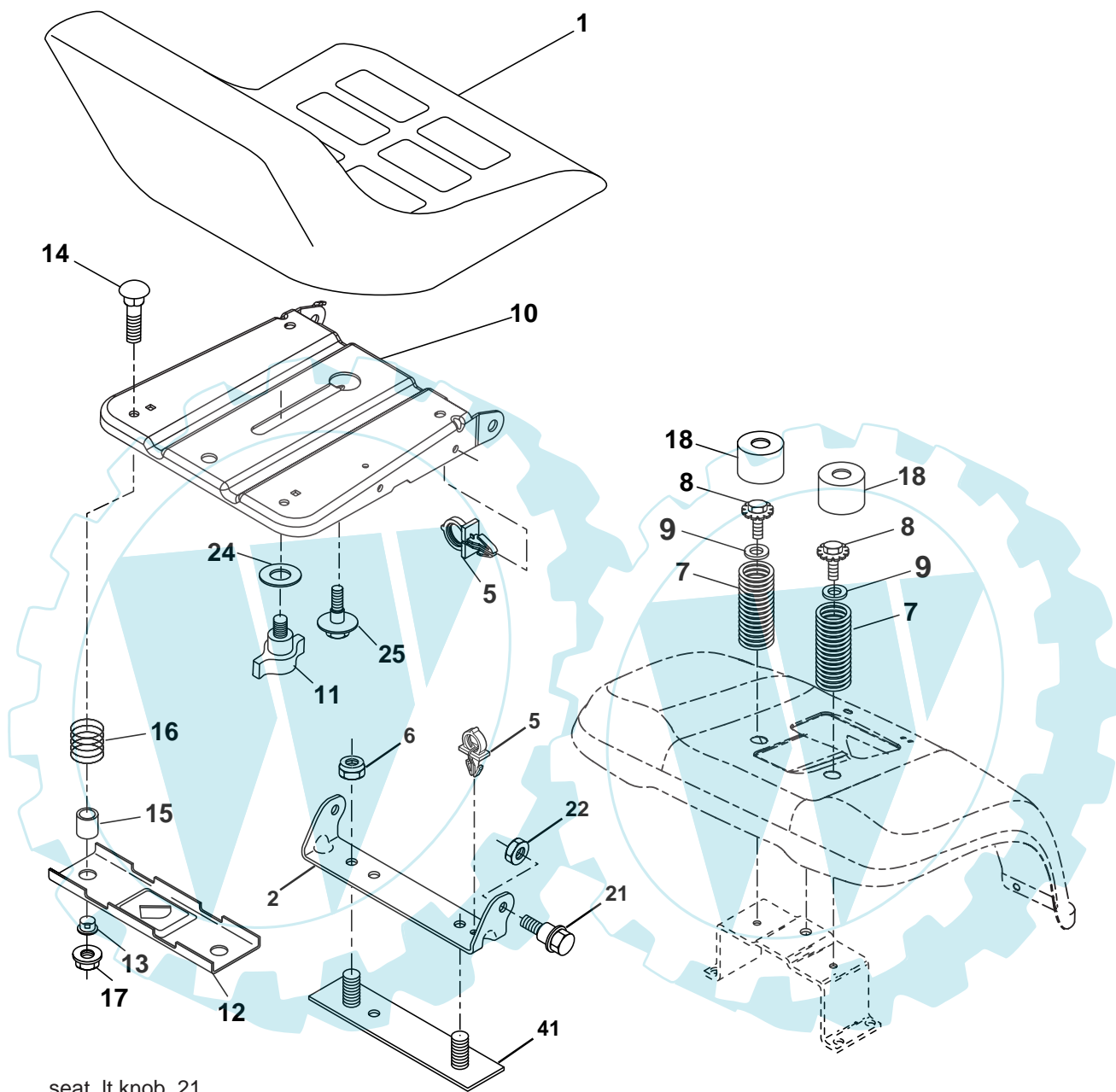
TRACTOR-MODEL NO. MJ20B107H (96011014000), PRODUCT NO. 960 11 01-40  
STEERING ASSEMBLY

KEY NO.	PART NO.	DESCRIPTION
1	532 19 45-95	Wheel Steering
2	532 18 47-06	Axle
3	532 16 98-40	Spindle Asm LH
4	532 16 98-39	Spindle Asm RH
5	532 12 49-31	Bearing Race Thrust Harden
6	532 12 17-48	Washer 25/32 x 1-5/8 x 16 Ga.
8	812 00 00-29	Ring Klip #t5304-75
10	532 17 51-21	Link Drag
11	810 04 06-00	Washer Lock Hvy Hlcl Spr 3/8
12	873 94 08-00	Nut Hex Jam Toplock 1/2-20 unf
13	532 13 65-18	Spacer Brg Axle Front
15	532 14 52-12	Nut Hex Flange Lock
17	532 17 78-83	Shaft Steering
29	817 00 06-12	Screw 3/8-16 x 3/4
32	532 17 18-88	Rod Tie
33	819 11 12-16	Washer 11/32 x 3/4 x 16 Ga.
34	810 04 05-00	Washer Lock Hry Hlcl Spr 5/16
35	873 54 05-00	Crownlock Nut 5/16 - 24 unf
36	532 15 51-05	Bushing Strg
37	532 15 29-27	Screw TT #32.5 x 5 x 3/8 Flange
38	532 19 46-03	Cap Wheel Steer
39	819 18 38-12	Washer
40	873 54 06-00	Nut Crownlock 3/8-24
41	532 18 67-37	Adaptor Wheel Strg
42	532 17 71-49	Boot Dash Steering
43	532 12 17-49	Washer 25/32 x 1 1/4 x 16 Ga.
65	532 16 03-67	Spacer Brace Axle
67	872 11 06-18	Bolt Rdhd Sq 3/8-16 x 2-1/4
68	532 16 98-27	Brace, Axle
71	532 17 51-46	Steering Asm
82	532 19 99-78	Bracket Susp Chassis Front
87	532 17 39-66	Washer Flat .781 x 1-1/2 x .14
88	532 17 51-18	Bolt Shoulder 7/16-20
91	532 17 55-53	Clip Steering

**NOTE:** All component dimensions given in U.S. inches  
1 inch = 25.4 mm.

# REPAIR PARTS

TRACTOR-MODEL NO. MJ20B107H (96011014000), PRODUCT NO. 960 11 01-40  
SEAT ASSEMBLY



seat\_lt.knob\_21

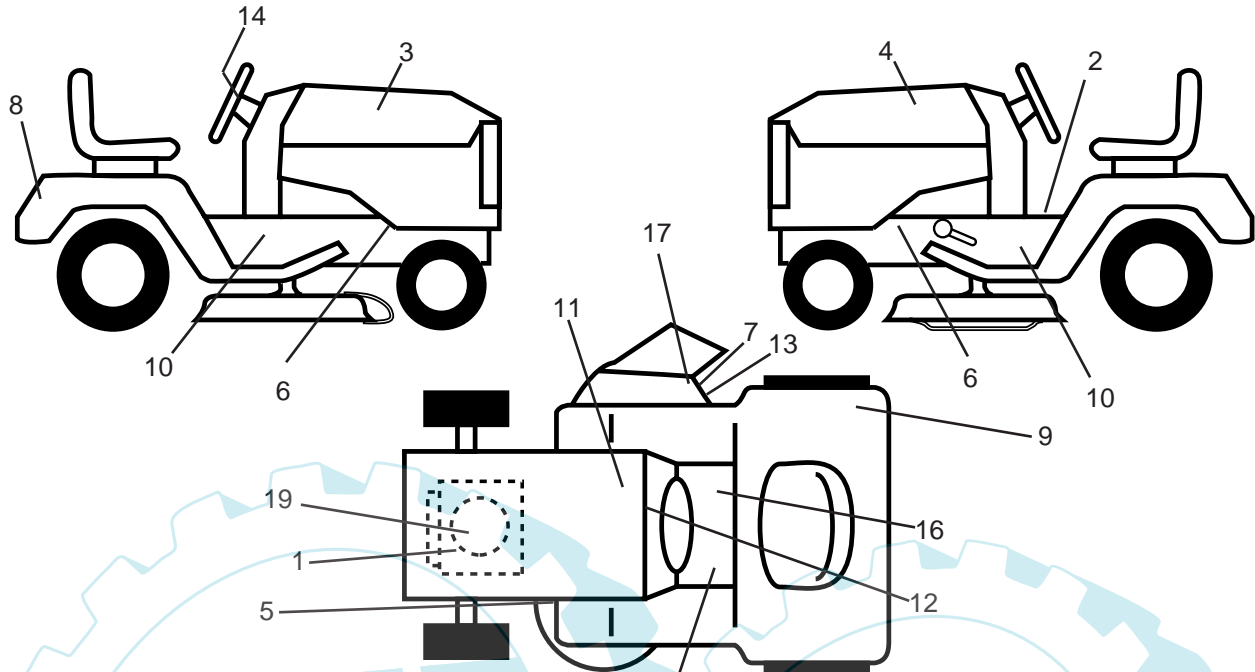
KEY NO.	PART NO.	DESCRIPTION
1	532 40 10-43	Seat
2	532 14 05-51	Bracket Pivot Seat 8 720
5	532 14 50-06	Clip Push-In Hinged
6	873 80 06-00	Nut Lock Hex w/Ins. 3/8-16 unc
7	532 12 41-81	Spring Seat Cprsn 2 250 Blk Zi
8	817 00 06-16	Screw 3/8-16 x 1-1/2
9	819 13 16-14	Washer 13/32 x 1 x 14 Ga.
10	532 19 55-30	Pan Seat
11	532 16 63-69	Knob Seat
12	532 17 46-48	Bracket Mounting Switch
13	532 12 12-48	Bushing Snap Blk Nyl 50 Id
14	872 05 04-12	Bolt Rdhd Sht Nk 1/4-20 x 1-1/2

KEY NO.	PART NO.	DESCRIPTION
15	532 12 12-49	Spacer Split 28 x 88 Zinc
16	532 12 37-40	Spring Cprsn 1 310 Blk Pnt
17	532 12 39-76	Nut Lock 1/4 Lge Flg Gr. 5 Zinc
18	532 12 42-38	Cap Steering Seat
21	532 17 18-52	Bolt Shoulder 5/16-18 unc-2A
22	873 80 05-00	Nut Lock Hx w/Ins 5/16-18 unc PL
24	819 17 19-12	Washer 17/32 x 1-3/16 x 12 Ga.
25	532 12 70-18	Bolt Shoulder 5/16-18 x 62
41	532 14 07-65	Strap Asm. Fender

**NOTE:** All component dimensions given in U.S. inches  
1 inch = 25.4 mm.

# REPAIR PARTS

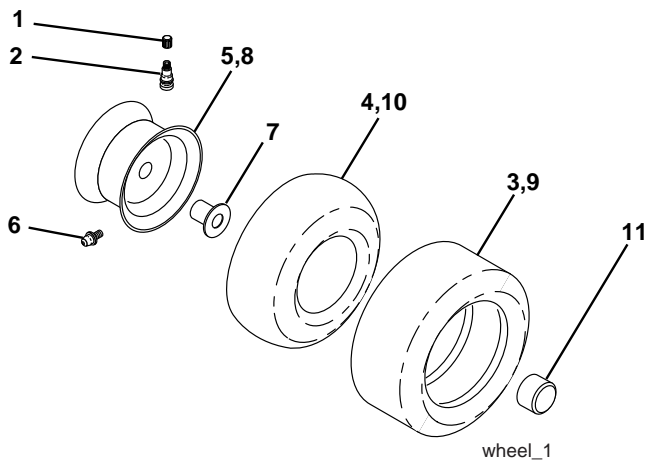
TRACTOR-MODEL NO. MJ20B107H (96011014000), PRODUCT NO. 960 11 01-40  
DECAL



KEY NO.	PART NO.	DESCRIPTION
1	532 19 68-41	Decal, Engine Warning Symbols
2	532 14 08-37	Decal, Brake Parking Sandle
3	532 40 34-31	Decal, Hood RH
4	532 40 34-30	Decal, Hood LH
5	532 16 03-96	Decal, V-Belt Sch.
6	532 15 97-36	Decal, Chassis Hot Muffler
7	532 18 21-66	Decal, Mower Cutfinger Symbol
8	532 40 22-72	Decal, Logo, Fender
9	532 18 04-32	Decal, 100 DB/CE
10	532 40 11-46	Decal, Warning Service/Fire
11	532 14 50-05	Decal, Bat Dan/Poi P/L Sym
12	532 19 10-76	Decal, Dash

KEY NO.	PART NO.	DESCRIPTION
13	532 19 63-57	Decal, Deflector Warning Cut-finder Symbol
14	532 40 22-73	Decal, Wheel Steering
15	532 15 97-37	Decal, Brake/Clutch Symbol
16	532 40 03-89	Decal, Warning Symbols
17	532 17 91-28	Decal, Deck "B" 42"
19	532 19 80-78	Decal, Engine HP
--	532 16 25-98	Decal, Drawbar Load Limit
--	532 16 69-60	Decal, By Pass
--	532 18 82-52	Pad, Footrest LH
--	532 18 82-53	Pad, Footrest RH
--	532 40 37-35	Manual, Operator's (Euro)
--	532 40 36-00	Manual, Parts

## WHEELS & TIRES

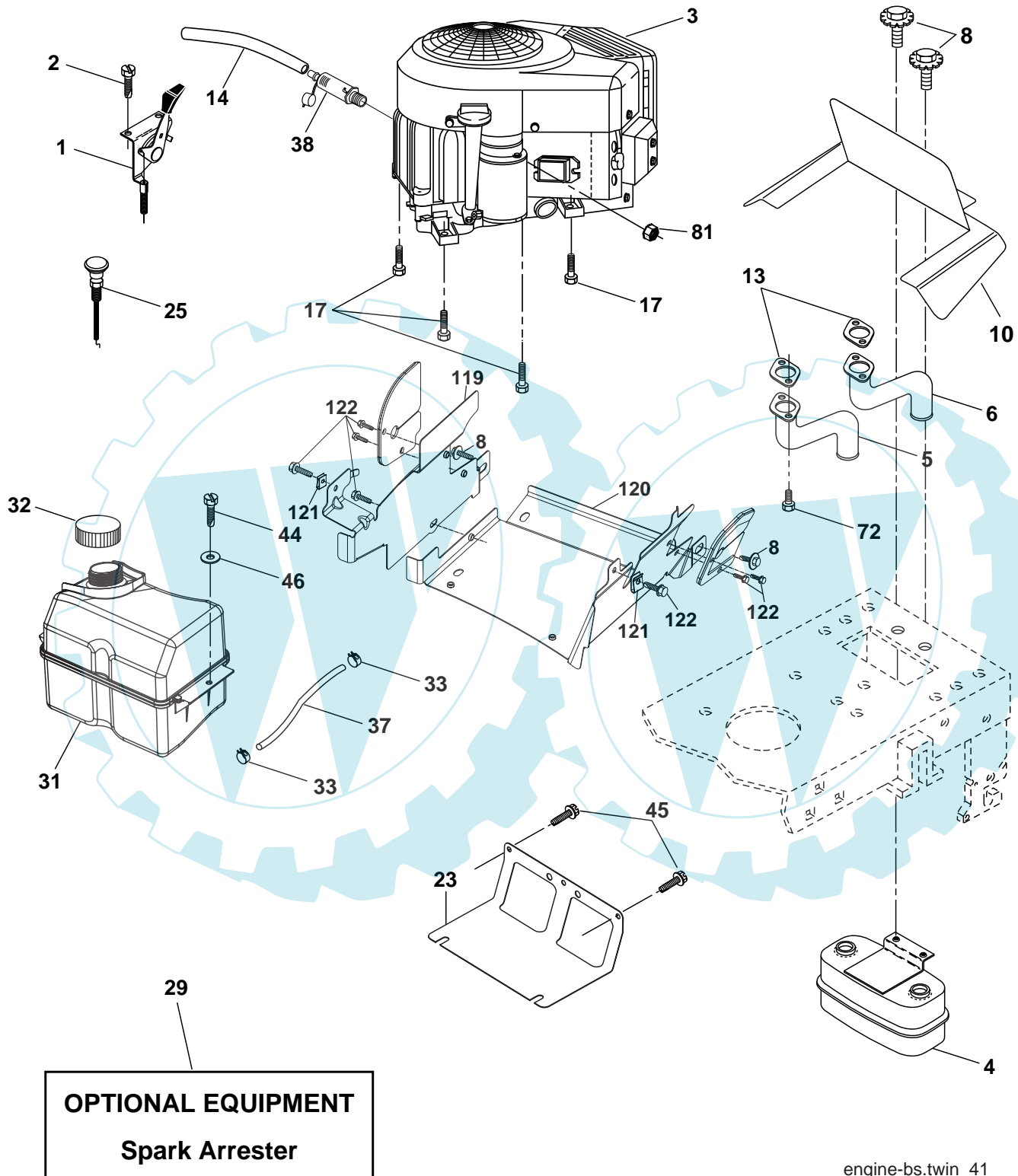


KEY NO.	PART NO.	DESCRIPTION
1	532 05 91-92	Cap Valve Tire
2	532 06 51-39	Stem Valve
3	532 10 62-22	Tire F Ts 15 x 6 0 - 6 Service
4	532 05 99-04	Tube Front (Service Item Only)
5	532 13 83-36	Rim Asm 6" front Service
6	532 12 49-57	Fitting Grease (Front Wheel Only)
7	532 12 49-59	Bearing Flange (Front Wheel Only)
8	532 13 83-37	Rim Asm 8"rear Service
9	532 13 84-68	Tire R Ts 20 x 8-8 C Service
10	532 12 49-26	Tube Rear (Service Item Only)
11	532 17 50-39	Cap Axle Blk 1 50 x 1 00
--	532 14 43-34	Sealant, Tire (10 oz. tube)

**NOTE:** All component dimensions given in U.S. inches  
1 inch = 25.4 mm

# REPAIR PARTS

TRACTOR-MODEL NO. MJ20B107H (96011014000), PRODUCT NO. 960 11 01-40  
ENGINE





## REPAIR PARTS

TRACTOR-MODEL NO. MJ20B107H (96011014000), PRODUCT NO. 960 11 01-40  
ENGINE

KEY NO.	PART NO.	DESCRIPTION
1	532 17 83-85	Control, Throttle
2	532 19 16-11	Screw 10 x 3/4 Single Lead Hex
3	-----	Engine, Briggs Model Number 441577 (Order Parts From Engine Manufacturer)
4	532 14 97-23	Muffler
5	532 15 99-55	Exhaust Tube LH
6	532 16 05-89	Exhaust Tube RH
8	532 17 18-77	Bolt 5/16-18 x 3/4
10	532 16 27-97	Shield Browning
13	532 16 53-91	Muffler Gasket
14	532 14 84-56	Tube Drain Oil Easy
17	817 06 06-24	Screw 3/8-16 x 1/2
23	532 16 98-37	Shield, Browning / Debris Guard
25	532 19 15-96	Choke Control
29	532 13 71-80	Kit, Spark Arrestor
31	532 18 55-34	Tank Fuel
32	532 19 77-25	Cap Asm Fuel
33	532 12 34-87	Clamp, Hose
37	532 13 70-40	Line, Fuel
38	532 18 16-54	Plug Drain Oil
44	817 67 04-12	Screw 1/4-20 x 3/4
45	817 00 06-12	Screw Hexwash Thdr
46	819 09 14-16	Washer 9/32 x 7/8 x 16 Ga.
72	532 18 39-06	Screw Socket Head 5/16-18 x 1
81	873 51 04-00	Nut, Keps Hex 1/4-20 unc
119	532 40 05-94	Engine Guard Asm LH
120	532 40 05-95	Engine Guard Asm RH
121	532 19 66-88	Clip
122	532 13 77-29	Screw
123	817 67 05-08	Screw

**NOTE:** All component dimensions given in U.S. inches  
1 inch = 25.4 mm





# REPAIR PARTS

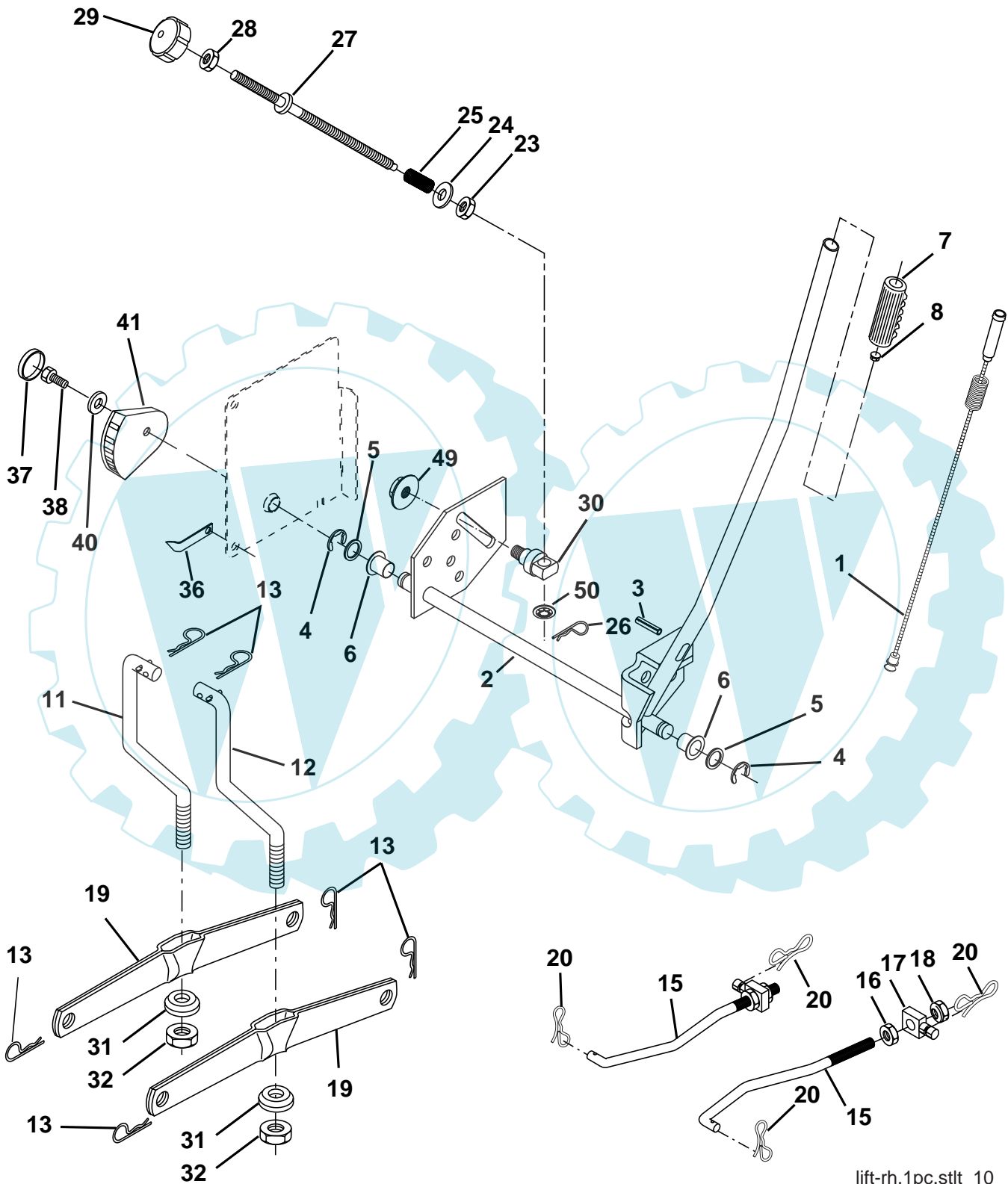
**TRACTOR-MODEL NO. MJ20B107H (96011014000), PRODUCT NO. 960 11 01-40**  
**MOWER DECK**

KEY NO.	PART NO.	DESCRIPTION	KEY NO.	PART NO.	DESCRIPTION
1	532 18 20-32	Housing Asm Mower 42"94 T-Path	105	532 16 07-93	Latch Asm Mulch
2	872 14 05-06	Bolt Rdhd Sqnk 5/16-18 unc x 3/4	106	532 12 50-04	Nut Weld #10-24
3	532 13 80-17	Bracket Asm Fr Sway Bar 38/42	113	817 00 05-10	Bolt 5/16-18 Hex Wsh Hd Lckserr
4	532 16 54-60	Bracket Asm Deck 42"sway Bar	116	532 12 48-42	Bolt Shoulder
5	532 12 46-70	Retainer Spring	117	532 17 48-73	Wheel Gauge
6	532 17 80-24	Bar Sway Deck	118	873 93 06-00	Nut Centerlock 3/8-16 unc
8	532 19 30-03	Bolt/Washer Asm 7/16-20 unf	119	819 12 14-14	Washer 3/8 x 7/8 x 14 Ga.
11	532 13 41-49	Blade Mower	129	819 13 13-12	Washer 13/32 x 13/16 x 12 Ga.
13	532 19 28-72	Shaft Asm W/lower Bearing	130	874 78 06-16	Bolt Fin Hex 3/8-16 unc x 1 Gr. 5
14	532 18 72-81	Housing Mandrel Vented(machd)	131	872 14 06-08	Bolt Rdhd Sqnk 3/8-16 unc x 1
15	532 11 04-85	Bearing Ball Mandrel	132	817 00 06-12	Screw 3/8-16 x .75
16	532 17 44-93	Stripper Round Mower	134	532 15 69-41	Pin Head Rivet
18	872 14 05-05	Bolt Carr 5/16-18 x 5/8	135	532 15 97-65	Bracket Asm Whl Gauge Rear LH
19	532 13 28-27	Bolt Shoulder	136	532 15 59-86	Bar Adjusting Gauge Wheel
20	532 15 97-70	Baffle Vortex 42	138	532 15 97-63	Bracket Asm Whl Gauge Rear RH
21	873 68 05-00	Nut Crown Lock 5/16-18	139	532 15 97-67	Bracket Asm Whl Gauge Front LH
23	532 17 75-63	Bracket Deflector Mower 42"	140	532 15 97-68	Bracket Asm Whl Gauge Front RH
24	532 10 53-04	Cap Sleeve 80 x 112 Blk Mower	143	532 15 71-09	Bracket Arm Idler
25	532 12 37-13	Spring Torsion Deflector 2 52	144	532 15 86-34	Keeper Belt
26	532 11 04-52	Nut Push Phos & Oil	145	532 16 58-88	Pulley Idler Flat
27	532 40 14-31	Shield Deflector	146	532 17 19-77	Bolt Carriage Idler
28	819 11 10-16	Washer 11/32 x 5/8 x 16 Ga.	148	532 16 90-22	Spring Return Idler
29	532 13 14-91	Rod Hinge 42"6 75 Wlg	149	532 16 58-98	Retainer Spring Yellow
30	532 17 39-84	Screw Thd Rolling Hex	150	819 09 12-10	Washer 9/32 x 3/4 x 10 Ga.
31	532 18 76-90	Washer Spacer	159	872 14 06-14	Bolt RDHD Sqn 3/8-16 x 1-3/4
32	532 15 35-35	Pulley Mandrel	182	532 17 91-26	Rod Roller Nose
33	532 40 02-34	Nut Flange Lock Top	183	532 19 42-09	Pin Cotter 7/16 Bow Tie Lock
34	872 11 06-12	Bolt RDHD 3/8-16 x 1-1/2	184	819 13 14-10	Washer 13/32 x 7/8 x 10 Ga.
36	532 13 14-94	Pulley Idler Flat 3 060	196	532 40 11-19	Guard Mandrel RH
40	873 90 06-00	Nut Lock 3/8-16 unc	199	532 40 02-78	Guard Asm. Fabric LH
44	532 14 00-88	Guard Mandrel LH Black	200	532 40 02-79	Guard Asm. Fabric RH
45	532 12 47-88	Retainer Spring	201	532 40 12-20	Push Nut Round 3/8 Diameter
46	532 13 77-29	Screw Thdrol 1/4-20 x 5/8	202	872 11 06-08	Nut 3/8-16 x 1 Gr. 5
54	532 17 85-15	Washer Hardened	203	532 19 72-62	Bolt Shoulder
55	532 15 50-46	Arm Idler 42"mower LT/YT	207	532 19 42-08	Pin Cotter 5/16 Bow Tie Lock
56	532 16 57-23	Spacer Retainer Mower	--	532 19 28-70	Mandrel Assembly (Includes Housing, Shaft and Shaft Hardware Only - Pulley Not Included)
59	532 14 10-43	Guard, Belt	--	532 40 19-52	Replacement Mower, Complete (Std. Deck - Order separately nose roller and gauge wheel components key nos. 91, 94, 95, 132, 182, 183 and 116-119)
61	532 17 48-82	Spring Ext. Elect			
68	532 18 02-60	V-Belt Mower			
91	532 18 05-32	Bracket Asm Noseroller LH			
92	873 80 06-00	Nut Lock Hex 3/8-16 unc			
94	532 13 22-64	Roller Nose 38 & 42			
95	532 18 05-33	Bracket Asm Noseroller RH			
101	532 19 31-07	Cover Mulch			
102	871 08 10-10	Screw Pan Hd Phillips 10-24 x 5/8			
103	819 06 12-16	Washer #10			
104	810 07 10-00	Washer Lock #10			

**NOTE:** All component dimensions given in U.S. inches  
 1 inch = 25.4 mm

# REPAIR PARTS

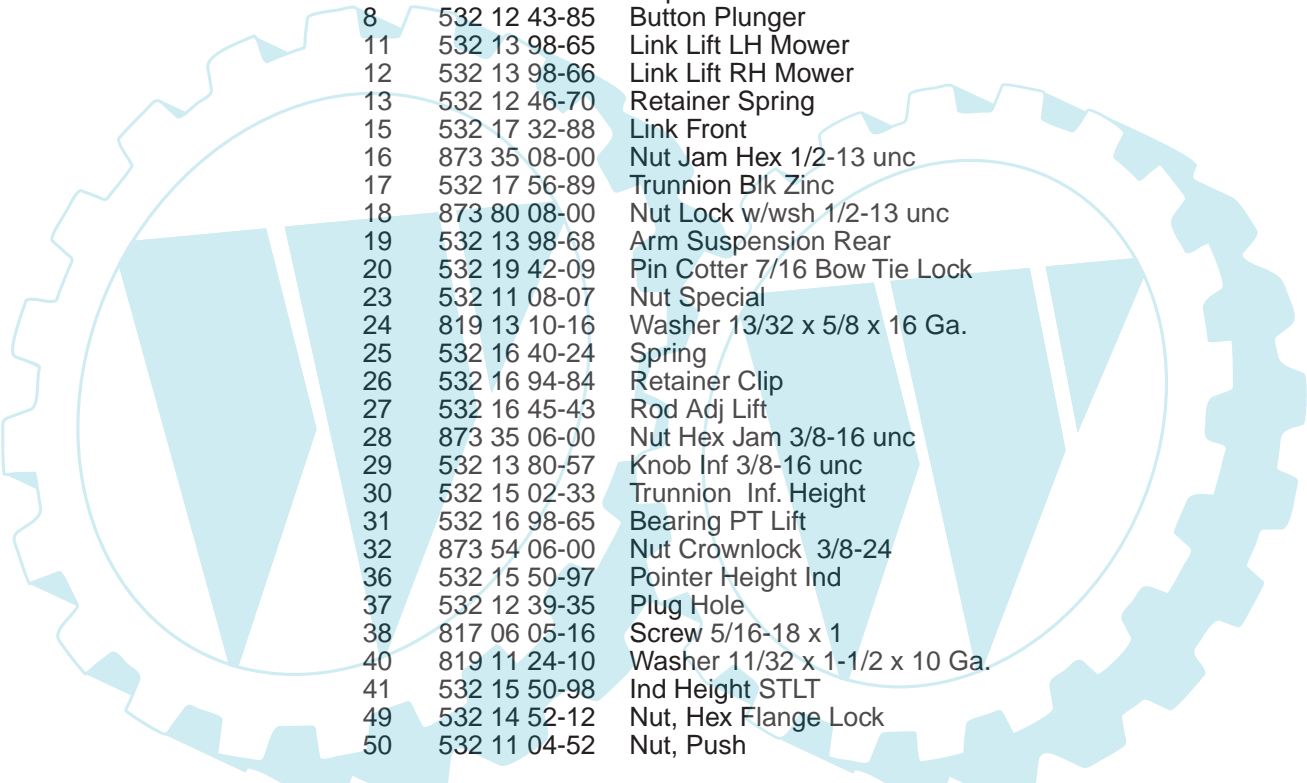
TRACTOR-MODEL NO. MJ20B107H (96011014000), PRODUCT NO. 960 11 01-40  
MOWER LIFT



lift-rh.1pc.stlt\_10

## REPAIR PARTS

TRACTOR-MODEL NO. MJ20B107H (96011014000), PRODUCT NO. 960 11 01-40  
MOWER LIFT



KEY NO.	PART NO.	DESCRIPTION
1	532 19 84-17	Wire Asm Inner/Sprg w/plngr LT
2	532 19 80-70	Shaft Asm Lift
3	532 18 88-22	Pin Groove
4	812 00 00-02	E Ring #5133-62
5	819 21 16-21	Washer 21/32 x 1 x 21 Ga.
6	532 12 01-83	Bearing Nylon Blk 629 Id
7	532 10 94-13	Grip Handle
8	532 12 43-85	Button Plunger
11	532 13 98-65	Link Lift LH Mower
12	532 13 98-66	Link Lift RH Mower
13	532 12 46-70	Retainer Spring
15	532 17 32-88	Link Front
16	873 35 08-00	Nut Jam Hex 1/2-13 unc
17	532 17 56-89	Trunnion Blk Zinc
18	873 80 08-00	Nut Lock w/wsh 1/2-13 unc
19	532 13 98-68	Arm Suspension Rear
20	532 19 42-09	Pin Cotter 7/16 Bow Tie Lock
23	532 11 08-07	Nut Special
24	819 13 10-16	Washer 13/32 x 5/8 x 16 Ga.
25	532 16 40-24	Spring
26	532 16 94-84	Retainer Clip
27	532 16 45-43	Rod Adj Lift
28	873 35 06-00	Nut Hex Jam 3/8-16 unc
29	532 13 80-57	Knob Inf 3/8-16 unc
30	532 15 02-33	Trunnion Inf. Height
31	532 16 98-65	Bearing PT Lift
32	873 54 06-00	Nut Crownlock 3/8-24
36	532 15 50-97	Pointer Height Ind
37	532 12 39-35	Plug Hole
38	817 06 05-16	Screw 5/16-18 x 1
40	819 11 24-10	Washer 11/32 x 1-1/2 x 10 Ga.
41	532 15 50-98	Ind Height STLT
49	532 14 52-12	Nut, Hex Flange Lock
50	532 11 04-52	Nut, Push

**NOTE:** All component dimensions given in U.S. inches  
1 inch = 25.4 mm

